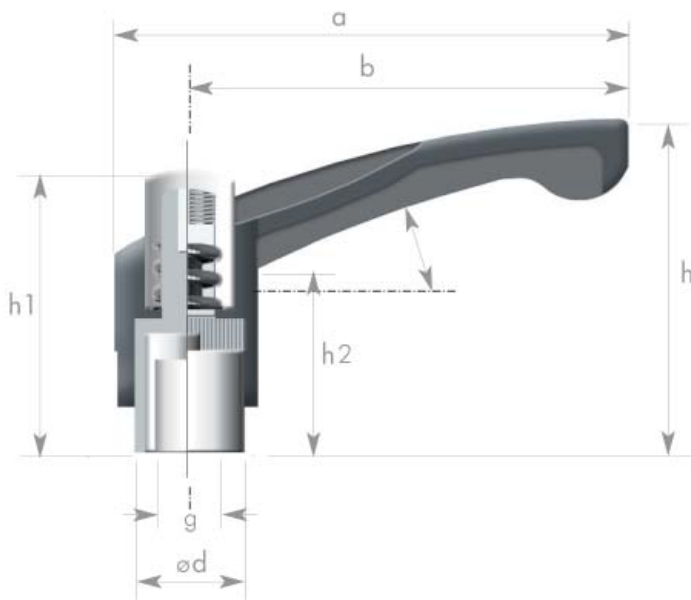


Klemmhebelmuttern + Klemmhebelschrauben



PA6/GF RAL 7021 Gewindebuchse-Messing
 * = Edelstahl AISI-303 Einsatz

Edelstahlfeder

| Art. Nr. Form K RAL 7021 | Art. Nr. Form K Inox* | b | a | h | h1 | ød | h2 | g |
|-----------------------------|--------------------------|----|----|----|----|----|----|-----|
| 119841301 | - | 43 | 51 | 38 | 33 | 13 | 23 | M4 |
| 119841302 | - | 43 | 51 | 38 | 33 | 13 | 23 | M5 |
| 119841303 | 119841305* | 43 | 51 | 38 | 33 | 13 | 23 | M6 |
| 119861301 | 119861305* | 65 | 75 | 48 | 42 | 16 | 26 | M6 |
| 119861302 | 119861306* | 65 | 75 | 48 | 42 | 16 | 26 | M8 |
| 119861303 | - | 65 | 75 | 48 | 42 | 16 | 26 | M10 |
| 119881301 | - | 85 | 98 | 63 | 50 | 18 | 34 | M8 |
| 119881302 | 119881305* | 85 | 98 | 63 | 50 | 18 | 34 | M10 |
| 119881303 | - | 85 | 98 | 63 | 50 | 18 | 34 | M12 |